

VALV-TROL BALANCED 3-WAY/2-POSITION VALVES

FOR WATER, 95/5, OIL OR OTHER LIQUIDS

The **Valv-Trol Balanced 3-Way Diaphragm Operated Valve** is intended for general industrial use. With its rugged steel diaphragm top and corrosion resistant body construction, it is ideally suited for hydraulic systems that use either raw water or 95/5. It also works extremely well on oil hydraulic systems.

Replaceable seats and discs are made of hardened stainless steel.

Proven to be very resistant to the effects of corrosion, wear, and wire drawing for longer service life.

Internally, the skirted discs provide a gradual change in the rate of flow.

Helps reduce the shock of opening or closing. Any foreign matter is flushed from the seats before the final seal is completed.

The valve can be piped either normally open to pressure or normally closed.

Can also be used to divert flow from one line to another (may require a small internal modification).

35 PSI (2.4 Bar) air recommended on diaphragm



Model	Port Size	Max. PSI*	Cv	Construction *		
				Body	Replaceable Trim	Seals
D-1000	3/4" NPT	3500 (240 Bar)	4.90	Bronze	Hardened S.S.	Buna N
D-1001	1" NPT	3500 (240 Bar)	13.0	Bronze	Hardened S.S.	Buna N
D-1002	1-1/4" NPT	3500 (240 Bar)	16.0	Bronze	Hardened S.S.	Buna N
D-1003	1-1/2" NPT	3500 (240 Bar)	30.0	Bronze	Hardened S.S.	Buna N
D-1004	2" NPT	3500 (240 Bar)	40.0	Bronze	Hardened S.S.	Buna N
D-1005	3" NPT	3500 (240 Bar)	83.5	Bronze	Hardened S.S.	Buna N
D-1006	4" Flanged	3500 (240 Bar)	140.0	Steel	Hardened S.S.	Buna N

Larger Sizes available.

*Consult factory for special requirements.

The Valv-Trol Advantage

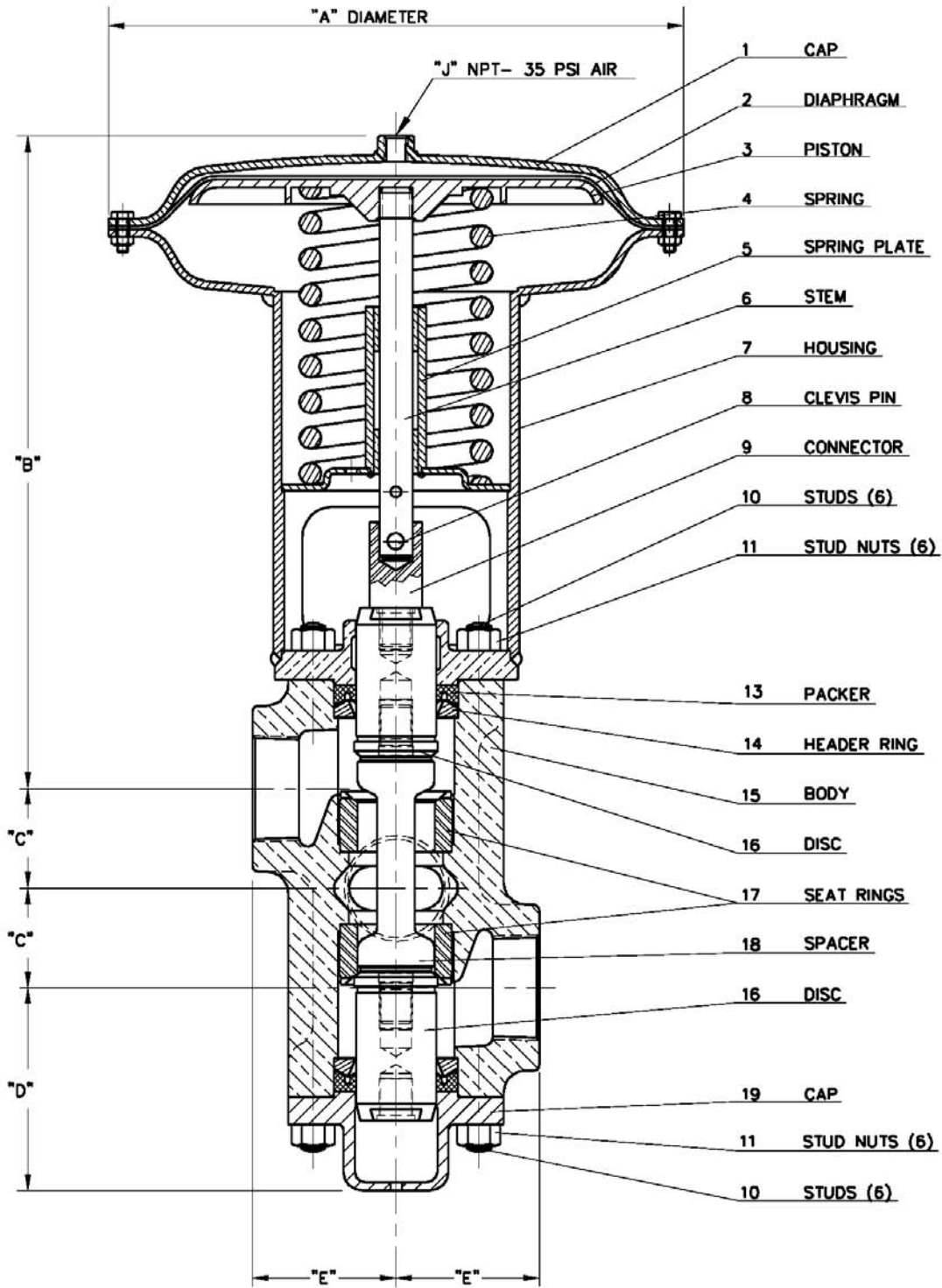
Many parts of Valv-Trol Valves are interchangeable between the same size 2-way, 3-way, and check valves. This helps you to reduce your spare parts inventory and allows us to maintain a more complete inventory for emergency availability and shorter lead times.

Our valves are all subjected to 100% pressure testing to ensure a drop tight seal before we ship to our customers.

For higher pressures, different port connections, or other special requirements, please contact the factory.

THE VALV-TROL COMPANY • 1340 COMMERCE DRIVE • STOW, OHIO 44224
Phone: 800-497-2136 • Fax: (330) 686-2820 • E-mail: sales@valv-trol.com • www.valv-trol.com

© 2011 The Valv-Trol Company, all rights reserved



Extra 3/4" center port on all sizes may be used or plugged.

VALVE NUMBER	PIPE SIZE	A	B	C	D	E	J
D-1000	3/4"	8"	7-3/4"	1"	2-3/8"	2-1/8"	1/4"
D-1001	1"	11"	13-1/4"	1-3/4"	4"	2-3/4"	1/4"
D-1002	1-1/4"	11"	13-1/4"	1-3/4"	4"	2-3/4"	1/4"
D-1003	1-1/2"	13"	14-7/8"	2-1/4"	4-5/8"	3-1/8"	1/4"
D-1004	2"	13"	14-7/8"	2-1/4"	4-5/8"	3-1/4"	1/4"
D-1005	3"	20"	21-1/2"	3-1/4"	6"	4-1/2"	1/2"
D-1006	4"	20"	22-3/4"	4"	7-5/8"	8-3/8"	1/2"

BALANCED THREE-WAY HYDRAULIC VALVES

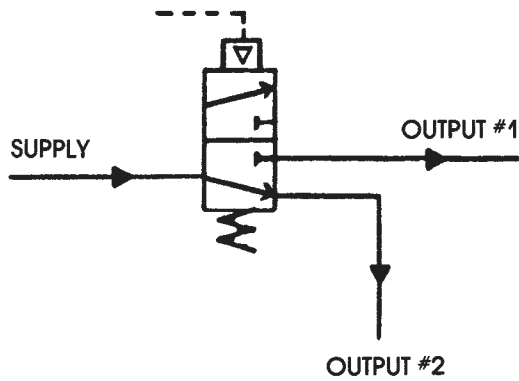
3500 PSI (240 Bar)

PARTS LIST

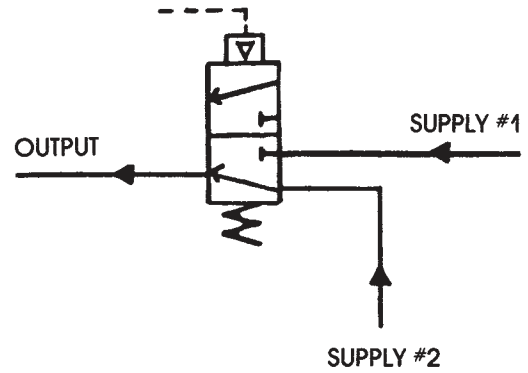
Ref. No.	Valve No.	D-1000	D-1001	D-1002	D-1003	D-1004	D-1005	D-1006
	Valve Size	3/4"	1	1-1/4"	1-1/2"	2"	3"	4"
	Valve Area	.167 Sq. In.	.398 Sq. In.	.667 Sq. In.	1.081 Sq. In.	1.780 Sq. In.	4.233 Sq. In.	8.056 Sq. In.
1	Cap	B-1102	B-1104	B-1104	B-1106	B-1106	B-1108	B-1108
2	Diaphragm	A-1122	A-1124	A-1124	A-1126	A-1126	A-1128	A-1128
3	Piston	B-1156-35	B-1158-47	B-1158-47	B-1160-57	B-1160-57	B-1162-89	B-1162-89
4	Spring	A-1767	A-1160	A-1160	A-1168	A-1168	A-1178	A-1178
5	Spring Plate	A-1182	A-1184	A-1184	A-1186	A-1186	A-1188	A-1189
6	Stem	A-1202	A-1206	A-1206	A-1208	A-1208	A-1210	A-1210
7	Housing	B-1525	B-1544	B-1544	B-1562	B-1562	B-1582	B-1584
8	Clevis Pin	R-6054-29	R-6056-39	R-6056-39	R-6056-41	R-6056-41	R-6057-65	R-6057-65
9	Connector	A-1231	A-1236	A-1236	A-1238	A-1238	A-1240	A-1240
10	Studs	A-1250	A-1256	A-1256	A-1260	A-1260	A-1264	A-1268
11	Stud Nuts	R-4713	R-4715	R-4715	R-4716	R-4716	R-4718	R-4719
13	Packer	A-3101	A-3136	A-3136	A-3138	A-3138	A-3140	R-5271
14	Header Ring	A-1281	A-1286	A-1286	A-1290	A-1290	A-1293	- 0 -
15	Body	D-1302	D-1304	D-1306	D-1308	D-1310	D-1312	D-1320
16	Disc	A-1303	A-1306	A-1306	A-1310	A-1310	A-1312	A-1314
17	Seat Ring	A-1402	A-1406	A-1406	A-1410	A-1410	A-1412	A-1414
18	Spacer	A-1502	A-1506	A-1506	A-1510	A-1510	C-1150	C-1154
19	Cap	B-1402	B-1406	B-1406	B-1410	B-1410	B-1412	B-1414
	Packer Cage	- 0 -	- 0 -	- 0 -	- 0 -	- 0 -	- 0 -	A-1295
	Cage O-Ring	- 0 -	- 0 -	- 0 -	- 0 -	- 0 -	- 0 -	R-4950-250
	Flange	- 0	-- 0 -	- 0 -	- 0 -	- 0 -	- 0 -	A-3836
	Flange O-Ring	- 0 -	- 0 -	- 0 -	- 0 -	- 0 -	- 0 -	R-4950-238

THE VALV-TROL CO., STOW, OHIO

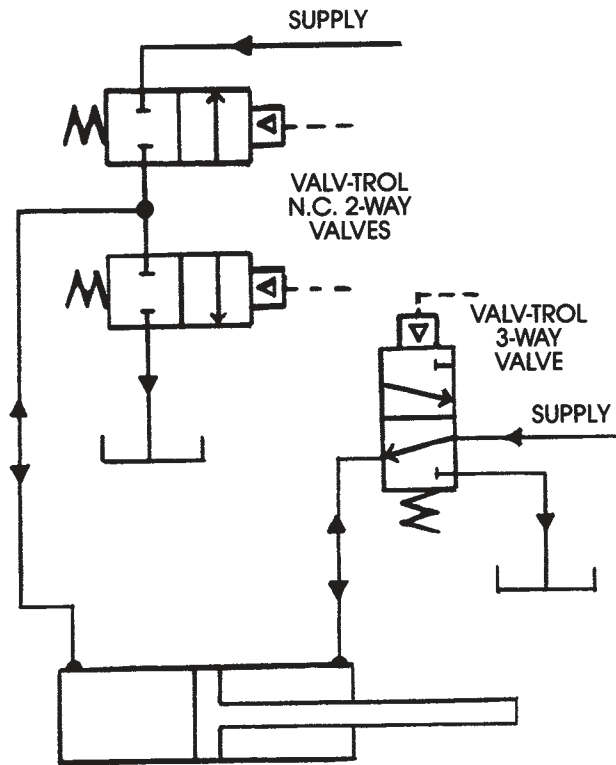
EXAMPLES OF VALV-TROL 3-WAY VALVE APPLICATIONS



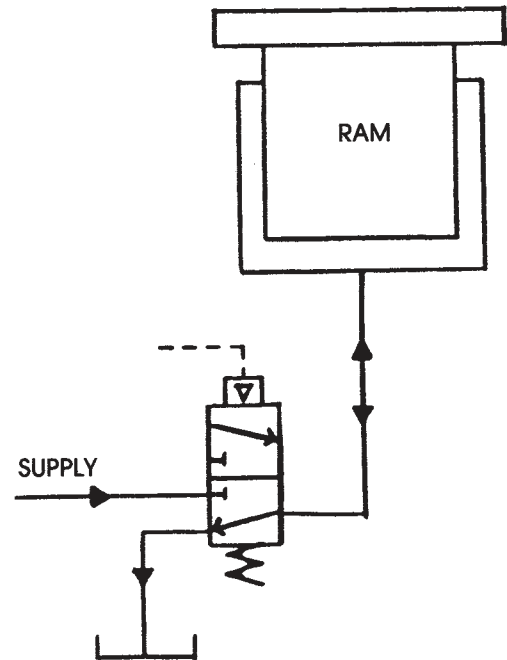
Diversion service—For diverting flow from one source to either of two outputs. This service may require a minor internal modification to prevent shutoff of flow during shifting.



Selector service—For selecting flow from either of two sources. Applications include any compatible fluids including water, grease, oil, paint, etc.



One circuit for stopping cylinder rod at any point on either extend or retract cycle.



Simple single acting, gravity return, hydraulic press. See Bulletin A-1 for information on two-pressure valves.