

# VALV-TROL

## BALANCED 2-WAY/2-POSITION VALVES

### FOR WATER, 95/5, OIL OR OTHER LIQUIDS

35 PSI (2.4 Bar) air recommended on diaphragm



The **Valv-Trol Balanced 2-Way Diaphragm Operated Valve** is intended for general industrial use. With its rugged steel diaphragm top and corrosion resistant body construction, it is ideally suited for hydraulic systems that use either raw water or 95/5. It also works extremely well on oil hydraulic systems.

**Replaceable seats and discs are of hardened stainless steel.**

*Proven to be very resistant to the effects of corrosion and wire drawing for longer service life.*

**Internally, the skirted discs provide a gradual change in the rate of flow.**

*Helps reduce the hydraulic shock of starting and stopping the flow of fluid.*

**Can be field converted from Normally Open (NO) to Normally Closed (NC) or vice versa.**

Model	Port Size	Max. PSI*	Cv	Construction *		
				Body	Replaceable Trim	Seals
D-1010	3/4"	3500 (240 Bar)	4.2	Bronze	Hardened S.S.	Buna N
D-1011	1"	3500 (240 Bar)	12.0	Bronze	Hardened S.S.	Buna N
D-1012	1-1/4"	3500 (240 Bar)	13.0	Bronze	Hardened S.S.	Buna N
D-1013	1-1/2"	3500 (240 Bar)	19.9	Bronze	Hardened S.S.	Buna N
D-1014	2"	3500 (240 Bar)	24.0	Bronze	Hardened S.S.	Buna N
D-1015	3"	3500 (240 Bar)	58.0	Bronze	Hardened S.S.	Buna N
D-1022	4" Flanged	See Bulletin A-29		Steel	Hardened S.S.	Buna N
D-1023	4" Flanged	See Bulletin A-30		Steel	Hardened S.S.	Buna N

Larger Sizes available.

\*Consult factory for special requirements.

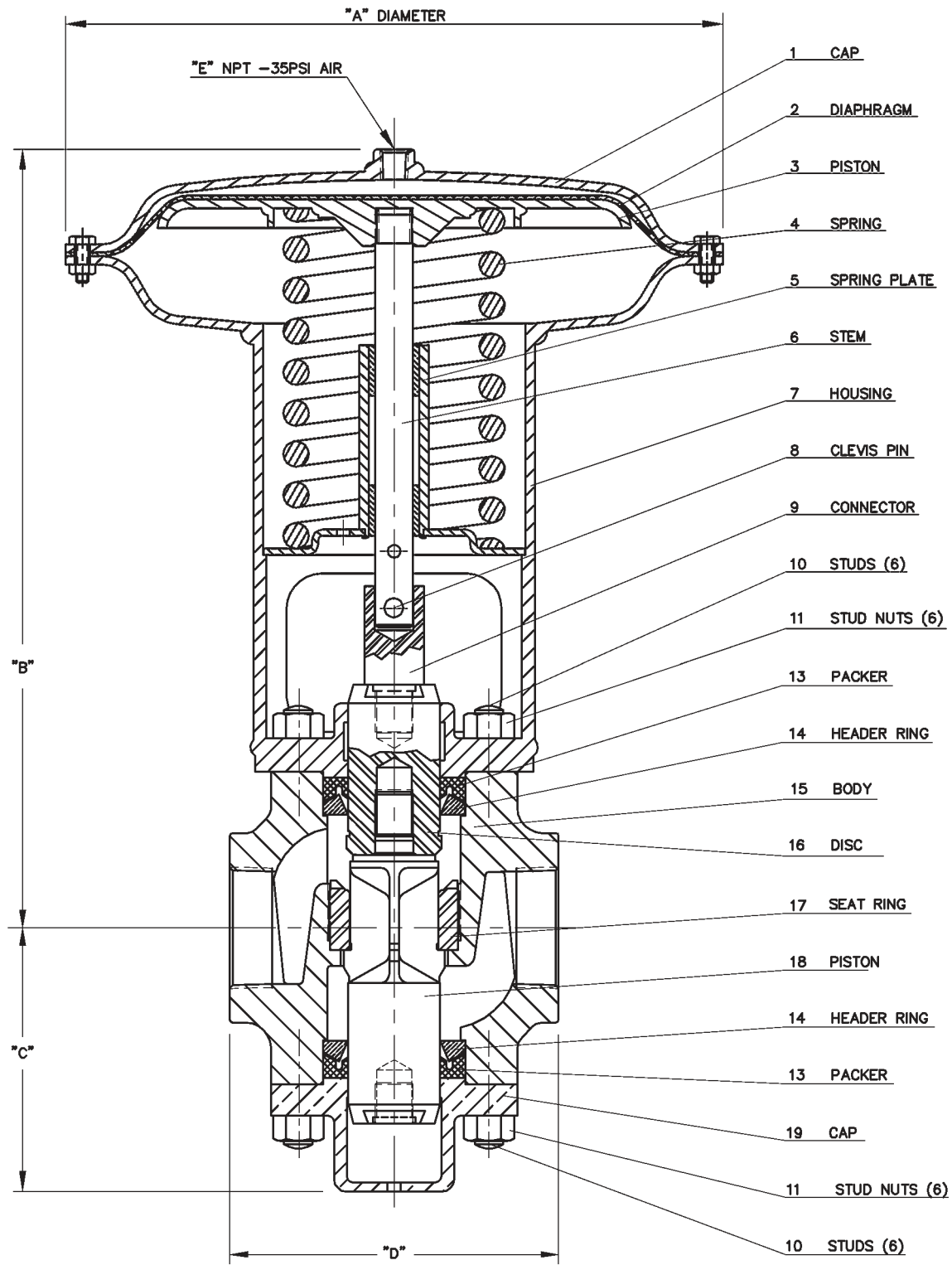
When ordering, specify if valve is to be assembled normally open (N.O.) or normally closed (N.C.).

### The Valv-Trol Advantage

Many parts of Valv-Trol Valves are interchangeable between the same size 2-way, 3-way, and check valves. This helps you to reduce your spare parts inventory and allows us to maintain a more complete inventory for emergency availability and shorter lead times.

Our valves are all subjected to 100% pressure testing to insure a drop tight seal before we ship to our customers.

**THE VALV-TROL COMPANY • 1340 COMMERCE DRIVE • STOW, OHIO 44224**  
Phone: 800-497-2136 • Fax: (330) 686-2820 • E-mail: sales@valv-trol.com • www.valv-trol.com



VALVE NUMBER	PIPE SIZE	"A"	"B"	"C"	"D"	"E"
D - 1010	¾"	8"	7 7/8"	2 ½"	4 ½"	¼"
D - 1011	1"	11"	14"	4 5/8"	5 ¼"	¼"
D - 1012	1 ¼"	11"	14"	4 5/8"	5 ½"	¼"
D - 1013	1 ½"	13"	15 ½"	5 ¼"	6 ½"	¼"
D - 1014	2"	13"	15 ½"	5 ¼"	6 ½"	¼"
D - 1015	3"	20"	22 ¾"	7 ¼"	9 ½"	½"

# BALANCED TWO-WAY HYDRAULIC VALVES

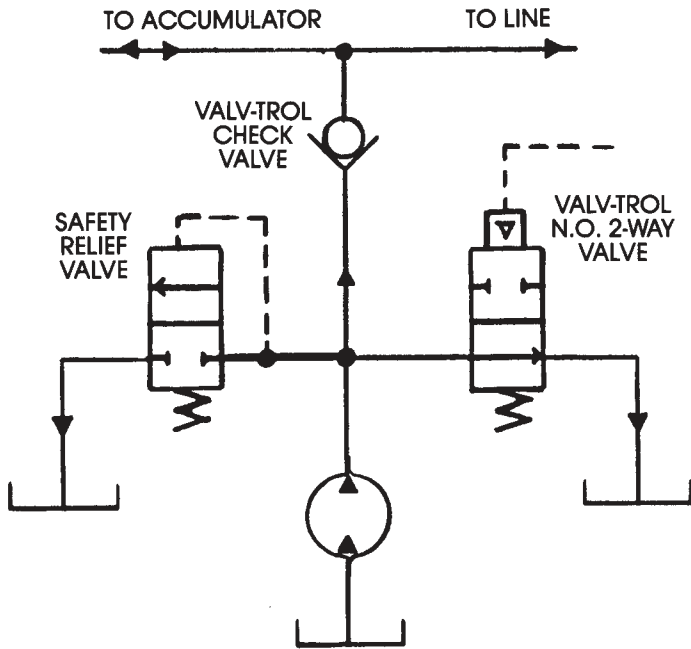
## 3500 PSI (240 Bar)

### PARTS LIST

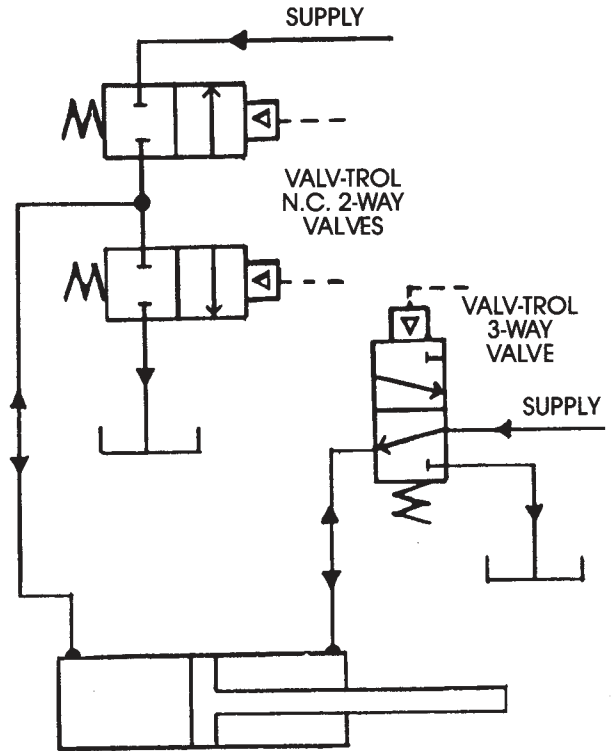
Ref. Valve No.	D-1010	D-1011	D-1012	D-1013	D-1014	D-1015
No. Valve Size	3/4"	1	1-1/4"	1-1/2"	2"	3"
Valve Area	.167 Sq. In.	.398 Sq. In.	.667 Sq. In.	1.081 Sq. In.	1.780 Sq. In.	4.233 Sq. In.
1 Cap	B-1102	B-1104	B-1104	B-1106	B-1106	B-1108
2 Diaphragm	A-1122	A-1124	A-1124	A-1126	A-1126	A-1128
3 Piston	B-1156-35	B-1158-47	B-1158-47	B-1160-57	B-1160-57	B-1162-89
4 Spring	A-1767	A-1160	A-1160	A-1168	A-1168	A-1178
5 Spring Plate	A-1182	A-1184	A-1184	A-1186	A-1186	A-1188
6 Stem	A-1202	A-1206	A-1206	A-1208	A-1208	A-1210
7 Housing	B-1525	B-1544	B-1544	B-1562	B-1562	B-1582
8 Clevis Pin	R-6054-29	R-6056-39	R-6056-39	R-6056-41	R-6056-41	R-6057-65
9 Connector	A-1231	A-1236	A-1236	A-1238	A-1238	A-1240
10 Studs	A-1250	A-1256	A-1256	A-1260	A-1260	A-1264
11 Stud Nuts	R-4713	R-4715	R-4715	R-4716	R-4716	R-4718
13 Packer	A-3101	A-3136	A-3136	A-3138	A-3138	A-3140
14 Header Ring	A-1281	A-1286	A-1286	A-1290	A-1290	A-1293
15 Body	C-1252	C-1254	C-1256	C-1258	C-1260	D-1316
16 Disc	A-1303	A-1306	A-1306	A-1310	A-1310	A-1312
17 Seat Ring	A-1402	A-1406	A-1406	A-1410	A-1410	A-1412
18 Piston	A-1512	A-1516	A-1516	A-1520	A-1520	C-1152
19 Cap	B-1402	B-1406	B-1406	B-1410	B-1410	B-1412

THE VALV-TROL CO., STOW, OHIO

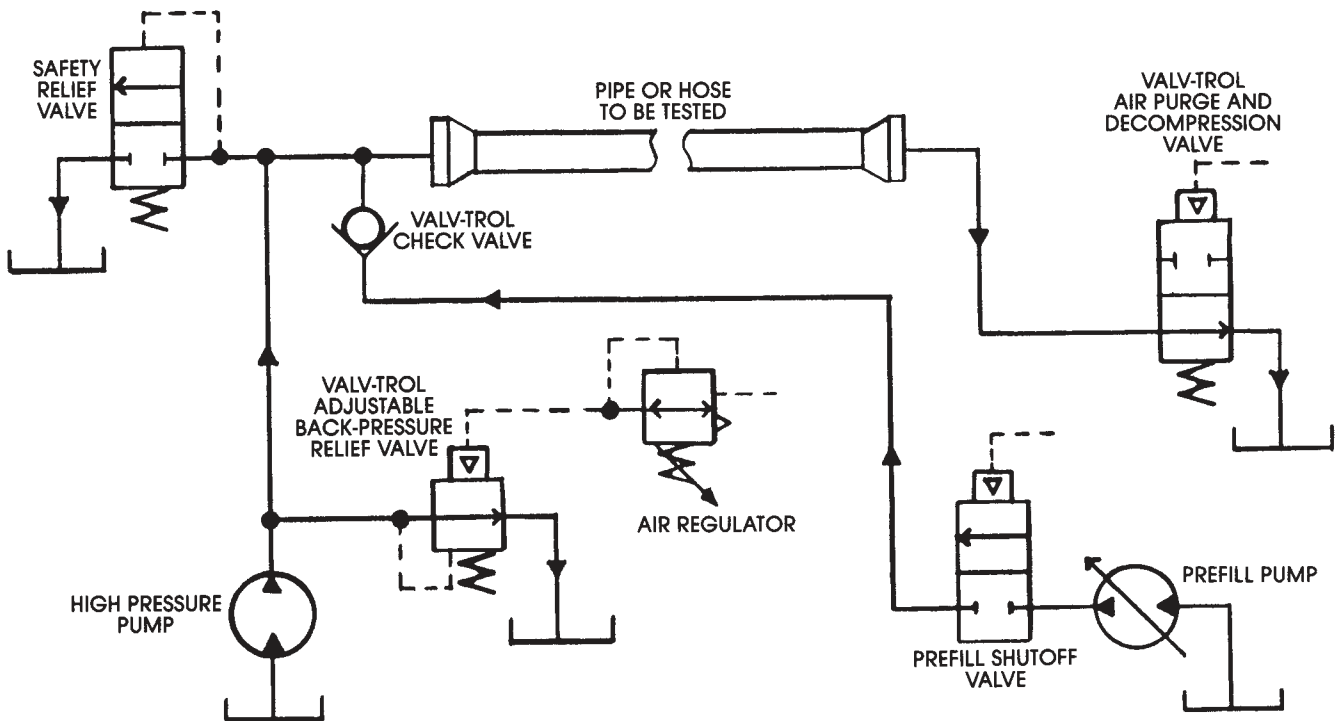
**EXAMPLES OF VALV-TROL 2-WAY VALVE APPLICATIONS**



Valv-Trol normally open (N.O.) 2-way valve used to load or unload (bypass) a positive displacement pump instead of starting and stopping the pump. This circuit saves energy because the pump is essentially at idle when there is no demand.



One circuit for stopping cylinder rod at any point on either extend or retract cycle.



Hydrostatic test bench for pressure testing pipe or hose. Consult with factory for special valves capable of handling up to 30,000 PSI (2,068 Bar).