

VALV-TROL SEQUENCE OR HIGH PRESSURE INLET VALVES

FOR WATER, 95/5, OR OIL SERVICE

B-0530
B-0511
B-0513



The **Valv-Trol High Pressure Inlet Valve**, sometimes called a Sequence Valve, is most often used to admit the higher pressure fluid in a two pressure hydraulic system. When a pre-determined low pressure is reached in a press or cylinder, the pressure lifts the piston which opens the high pressure orifice.

The “automatic” action of this valve can eliminate the need for external controls.

With the addition of a diaphragm top (model C-0152), the valve may be held closed by 35 PSI (2.4 Bar) air pressure. This is commonly used to eliminate or delay high pressure “kick-in” until a later part of the cycle. With no air pressure on the diaphragm, the model C-0152 works like the standard B-0511 valve.

Renewable trim is made of hardened stainless steel.

Proven to be very resistant to the effects of corrosion, wear, and wire drawing for longer service life.

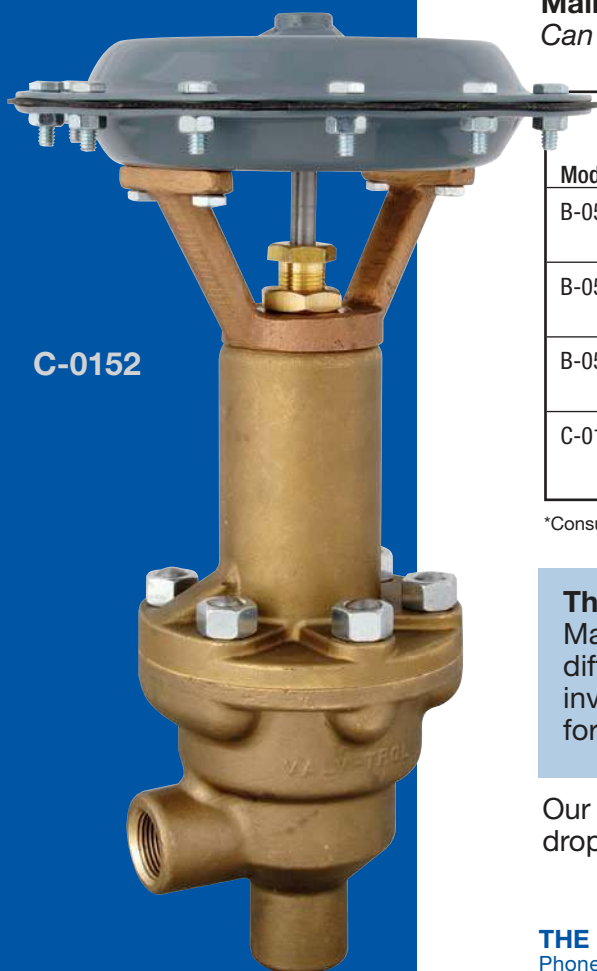
Piston is fully-guided.

Results in ideal alignment of the seat and disc.

Maintenance is simplified.

Can be fully serviced without removal from the line.

C-0152



Model	Adjustable Low Pressure Range	Max PSI*	Inlet Port (NPT)	Outlet Port (NPT)	Standard Orifice Dia*	Construction		
						Body	Trim	Seals
B-0530	50-150 PSI (3-10 Bar)	3500 (240 Bar)	3/4"	3/4"	1/8"	Bronze	Hardened S.S.	Buna N
B-0511	150-400 PSI (10-28 Bar)	3500 PSI (240 Bar)	3/4"	3/4"	1/8"	Bronze	Hardened S.S.	Buna N
B-0513	400-2000 PSI (28-138 Bar)	3500 PSI (240 Bar)	3/4"	3/4"	1/8"	Bronze	Hardened S.S.	Buna N
C-0152	150-400 PSI (10-28 Bar)	3500 PSI (240 Bar)	3/4"	3/4"	1/8"	Bronze	Hardened S.S.	Buna N

*Consult factory for special requirements.

The Valv-Trol Advantage

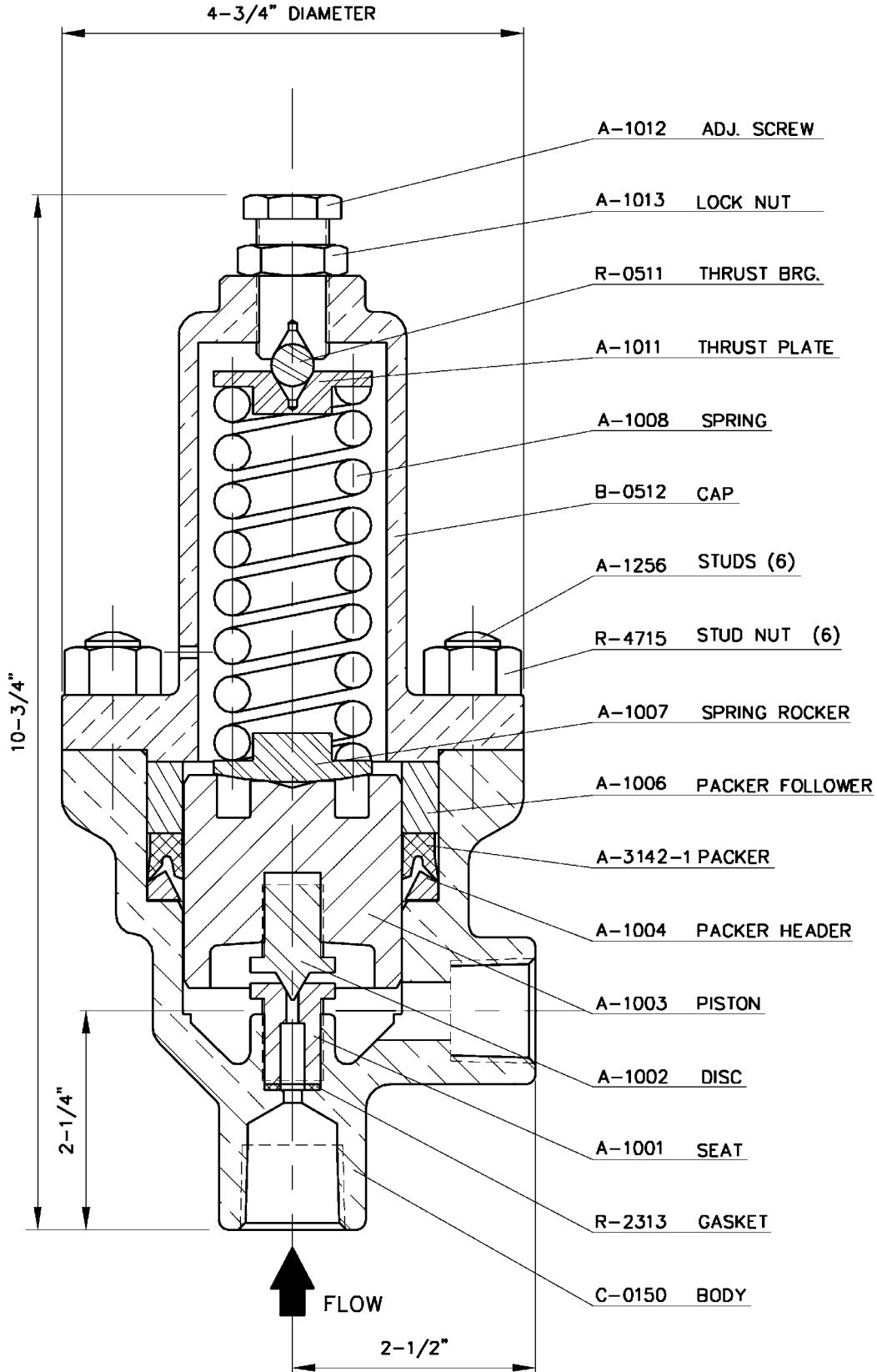
Many parts of Valv-Trol Valves are interchangeable between different models. This helps you to reduce your spare parts inventory and allows us to maintain a more complete inventory for emergency availability and shorter lead times.

Our valves are all subjected to 100% pressure testing to ensure a drop tight seal before we ship to our customers.

THE VALV-TROL COMPANY • 1340 COMMERCE DRIVE • STOW, OHIO 44224
Phone: 800-497-2136 • Fax: (330) 686-2820 • E-mail: sales@valv-trol.com • www.valv-trol.com

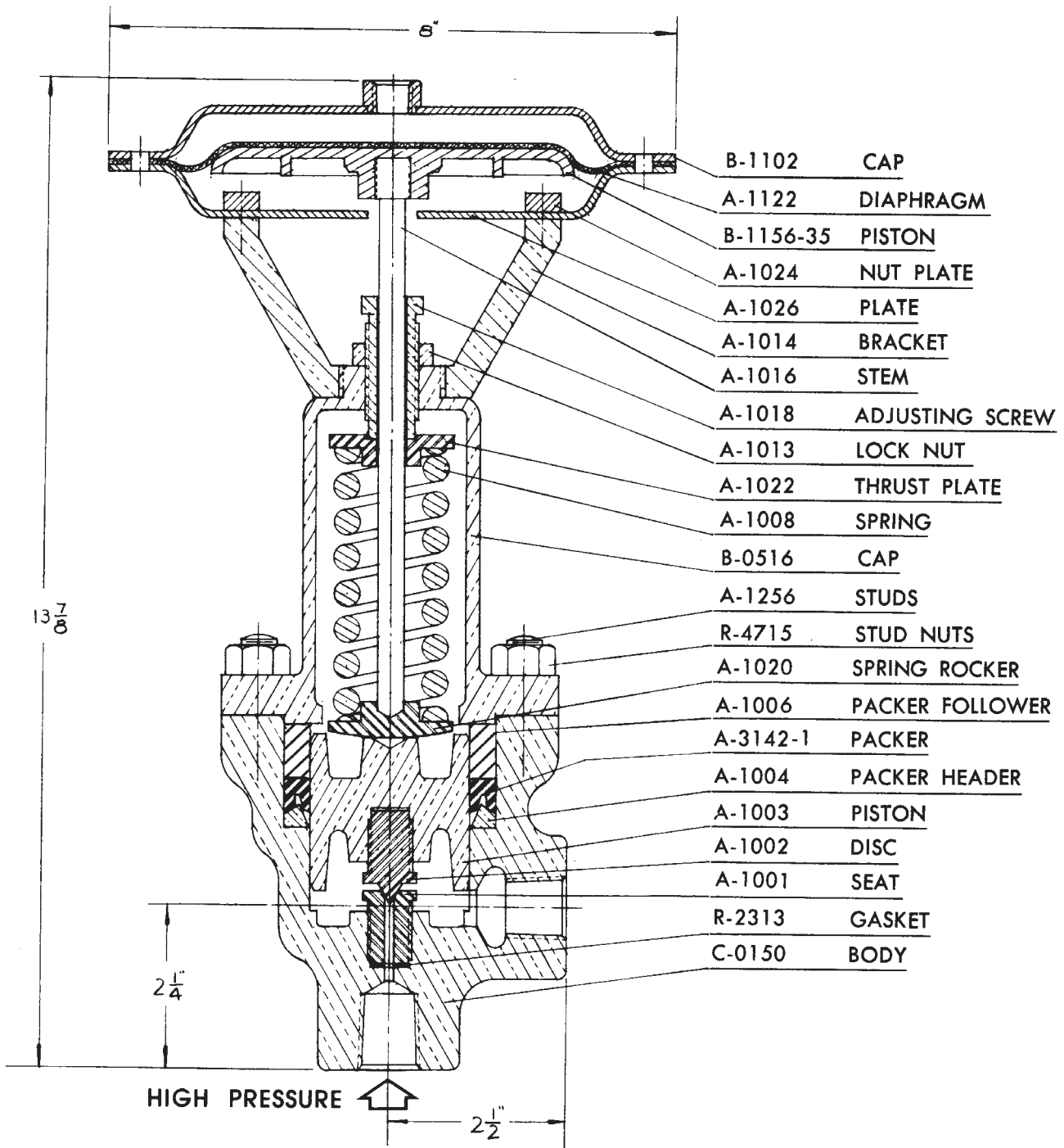
MODEL B-0511

150-400 PSI (10-28 Bar)

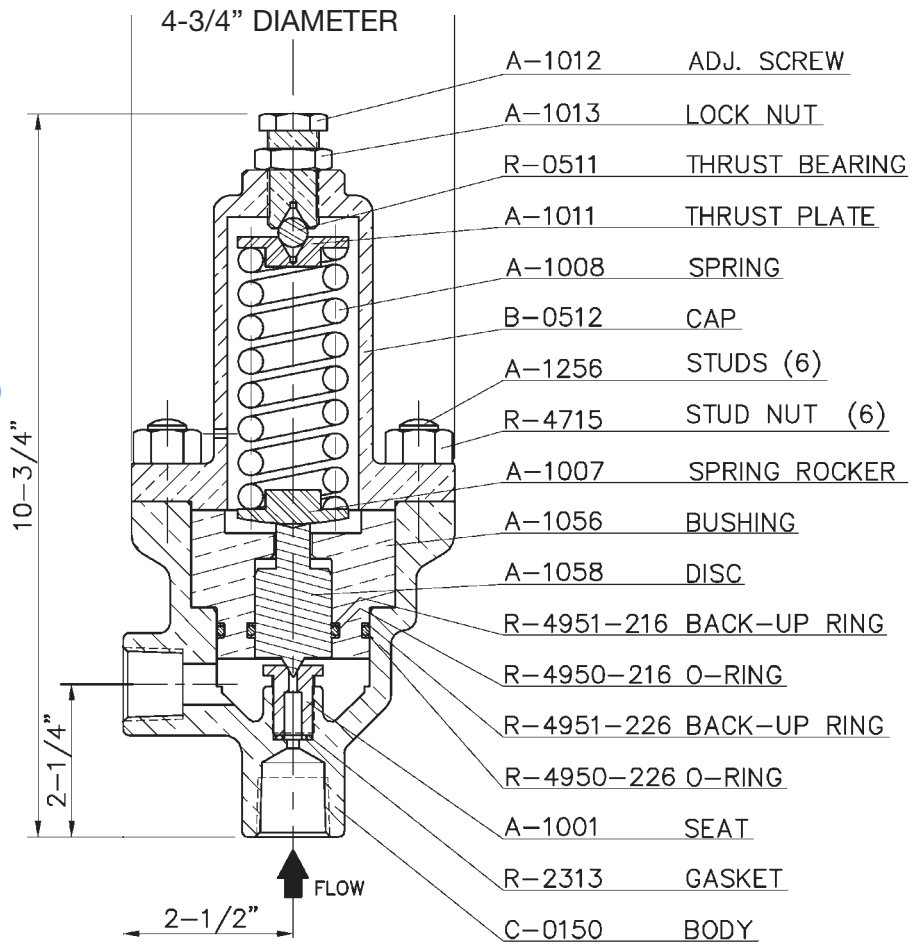


MODEL C-0152

150-400 PSI (10-28 Bar)



MODEL B-0513
400-2000 PSI (28-138 Bar)



MODEL B-0530
50-150 PSI (3-10 Bar)

