

VALV-TROL REVERSE ACTING (NORMALLY CLOSED) QUICK ACTING 2-WAY VALVES

1/2" to 3" NPT, 150 or 300 PSI (10 or 21 Bar)



The **Valv-Trol Quick Acting, Loose Disc Valves** are a diaphragm actuated valves used where remote operation is needed. Typical operations include steam heating, water cooling, water circulation, or liquid transfer. It is not intended for power hydraulic systems because of their loose discs and unbalanced design.

These valves have heavy cast bronze bodies and replaceable stainless steel trim for long service life with most liquids. The standard stem packaging is suitable for most liquids up to 500°F (260°C).

Although these valves are quick acting, they are often used with a reverse acting pressure controller to successfully regulate the pressure (temperature) of steam heated components.

PORT SIZE	N.C. MODELS 150 PSI / 300 PSI (10 Bar / 21Bar)	Cv RATING
1/2"	D-2202 / D-3202	3.7
3/4"	D-2204 / D-3204	7.1
1"	D-2206 / D-3206	13.3
1-1/4"	D-2208 / D-3208	21.0
1-1/2"	D-2210 / D-3210	28.0
2"	D-2212 / D-3212	37.5
3"	D-2216* / D-3216*	101.0

*Rating may be reduced on 3", 300# model in some applications.

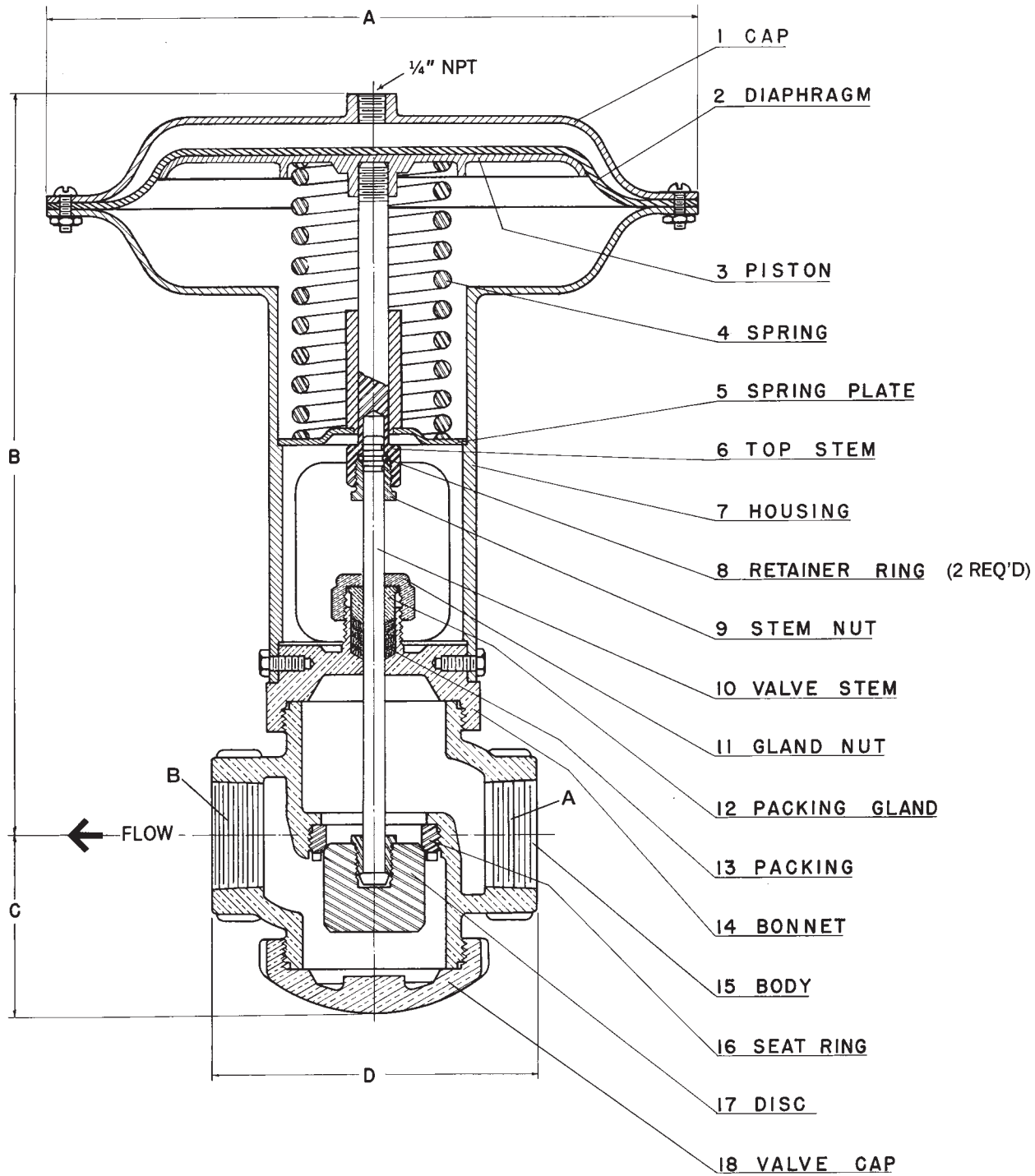
35 PSI (2.4 Bar) air
recommended on
diaphragm

The Valv-Trol Advantage

Many parts of Valv-Trol Valves are interchangeable between the same size 2-way and 3-way valves. This helps you to reduce your spare parts inventory and allows us to maintain a more complete inventory for emergency availability and shorter lead times.

Our valves are all subjected to 100% pressure testing to ensure a drop tight seal before we ship to our customers.

THE VALV-TROL COMPANY • 1340 COMMERCE DRIVE • STOW, OHIO 44224
Phone: 800-497-2136 • Fax: (330) 686-2820 • E-mail: sales@valv-trol.com • www.valv-trol.com



150 LB. VALVE DIMENSIONS

VALVE NUMBER	PIPE SIZE	A	B	C	D
D-2202	1/2"	6-1/8"	8"	1-5/8"	3-1/8"
D-2204	3/4"	6-1/8"	8-3/8"	2"	3-7/8"
D-2206	1"	8"	10-1/2"	2-3/8"	4-3/8"
D-2208	1-1/4"	8"	10-3/4"	2-5/8"	5"
D-2210	1-1/2"	11"	12-3/8"	3"	5-1/2"
D-2212	2"	11"	13-7/8"	3-1/2"	6-1/8"
D-2216	3"	13"	16-1/4"	4-3/4"	9"

300 LB. VALVE DIMENSIONS

VALVE NUMBER	PIPE SIZE	A	B	C	D
D-3202	1/2"	6-1/8"	8"	1-5/8"	3-1/8"
D-3204	3/4"	8"	8-1/2"	2"	3-7/8"
D-3206	1"	11"	11-3/4"	2-3/8"	4-3/8"
D-3208	1-1/4"	11"	12"	2-5/8"	5"
D-3210	1-1/2"	13"	12-3/4"	3"	5-1/2"
D-3212	2"	13"	14-1/4"	3-1/2"	6-1/8"
D-3216	3"	15-7/8"	17-1/2"	4-3/4"	9"

DIRECT ACTING (NORMALLY CLOSED) 2-WAY VALVES

PARTS LIST FOR 150 PSI (10 Bar) VALVES

Ref.	No.	Valve No.	D-2202	D-2204	D-2206	D-2208	D-2210	D-2212	D-2216
		Valve Size	1/2"	3/4"	1"	1-1/4"	1-1/2"	2"	3" *
	1	Cap	B-1100	B-1100	B-1102	B-1102	B-1104	B-1104	B-1106
	2	Diaphragm	A-1120	A-1120	A-1122	A-1122	A-1124	A-1124	A-1126
	3	Piston	B-1154-25	B-1154-25	B-1156-35	B-1156-35	B-1158-35	B-1158-47	B-1160-57
	4	Spring	A-1754	A-1754	A-1770	A-1770	A-1778	A-1790	A-1168
	5	Spring Plate	A-1180	A-1180	A-1182	A-1182	A-1182	A-1184	A-1186
	6	Top Stem	A-2002	A-2008	A-2020	A-2020	A-2020	A-2028	A-2040
	7	Housing	B-1174-42	B-1174-42	B-1176-53	B-1176-53	B-1178-83	B-1178-84	B-1180-05
	8	Retainer Ring	A-2902	A-2904	A-2910	A-2910	A-2910	A-2912	A-2912
	9	Stem Nut	A-2602	A-2604	A-2610	A-2610	A-2610	A-2612	A-2612
	10	Valve Stem	A-2102-2	A-2104-2	A-2106-2	A-2108-2	A-2110-2	A-2112-2	A-2112-3
	11	Gland Nut	A-2204	A-2204	A-2210	A-2210	A-2210	A-2212	A-2212
	12	Packing Gland	A-2304-4	A-2304-5	A-2310-6	A-2310-6	A-2310-6	A-2312	A-2312
	13	Packing	A-3002	A-3004	A-3010	A-3010	A-3010	A-3012	A-3012
	14	Bonnet	A-2402	A-2404	A-2406	A-2408	A-2410	A-2412	A-2416
	15	Body	C-2102	C-2104	C-2106	C-2108	C-2110	C-2112	C-2116
	16	Seat Ring	A-2502	A-2504	A-2506	A-2508	A-2510	A-2512	A-2516
	17	Disc	A-2702	A-2704	A-2706	A-2708	A-2710	A-2712	A-2718
	18	Valve Cap	A-2802	A-2804	A-2806	A-2808	A-2810	A-2812	A-2816

* Pressure rating may be reduced on 3" models in some applications.

See Parts List for 300 PSI (21 Bar) Valves on Page 4.

DIRECT ACTING (NORMALLY CLOSED) 2-WAY VALVES

PARTS LIST FOR 300 PSI (21 Bar) VALVES

Ref.		D-3202	D-3204	D-3206	D-3208	D-3210	D-3212	D-3216
No.	Valve No. Valve Size	1/2"	3/4"	1"	1-1/4"	1-1/2"	2"	3" *
1	Cap	B-1100	B-1102	B-1104	B-1104	B-1106	B-1106	B-1107
2	Diaphragm	A-1120	A-1122	A-1124	A-1124	A-1126	A-1126	A-1127
3	Piston	B-1154-25	B-1156-25	B-1158-35	B-1158-35	B-1160-35	B-1160-47	B-1161-57
4	Spring	A-1754	A-1758	A-1782	A-1782	A-1782	A-1794	A-1168
5	Spring Plate	A-1180	A-1180	A-1182	A-1182	A-1182	A-1184	A-1186
6	Top Stem	A-2002	A-2008	A-2020	A-2020	A-2020	A-2028	A-2040
7	Housing	B-1174-42	B-1176-52	B-1178-83	B-1178-83	B-1180-03	B-1180-04	B-1181-25
8	Retainer Ring	A-2902	A-2904	A-2910	A-2910	A-2910	A-2912	A-2912
9	Stem Nut	A-2602	A-2604	A-2610	A-2610	A-2610	A-2612	A-2612
10	Valve Stem	A-2102-2	A-2104-2	A-2106-2	A-2108-2	A-2110-2	A-2112-2	A-2112-3
11	Gland Nut	A-2204	A-2204	A-2210	A-2210	A-2210	A-2212	A-2212
12	Packing Gland	A-2304-4	A-2304-5	A-2310-6	A-2310-6	A-2310-6	A-2312	A-2312
13	Packing	A-3002	A-3004	A-3010	A-3010	A-3010	A-3012	A-3012
14	Bonnet	A-2402	A-2404	A-2406	A-2408	A-2410	A-2412	A-2416
15	Body	C-2102	C-2104	C-2106	C-2108	C-2110	C-2112	C-2116
16	Seat Ring	A-2502	A-2504	A-2506	A-2508	A-2510	A-2512	A-2516
17	Disc	A-2702	A-2704	A-2706	A-2708	A-2710	A-2712	A-2716
18	Valve Cap	A-2802	A-2804	A-2806	A-2808	A-2810	A-2812	A-2816

* Pressure rating may be reduced on 3" models in some applications.

See Part List for 150 PSI (10 Bar) Valves on Page 3.