

VALV-TROL QUICK ACTING 3-WAY VALVES

1/2" to 3" NPT, 150 or 300 PSI (10 Bar or 21 Bar)



The **Valv-Trol Quick Acting, Loose Disc Valves** are diaphragm actuated valves used where remote operation is needed. Typical operations include steam heating, water cooling, water circulation, or liquid transfer. They are not intended for power hydraulic systems because of their loose discs and unbalanced design.

These valves have heavy cast bronze bodies and replaceable stainless steel trim for long service life with most liquids. The standard stem packaging is suitable for most liquids up to 500°F (260°C).

As with most of our valves this 3-way may be piped with any port to supply.

PORT SIZE	3-WAY MODELS 150 PSI / 300 PSI (10 Bar / 21 Bar)	Cv RATING A to B to C
1/2"	D-2302 / D-3302	3.7 / 5.2
3/4"	D-2304 / D-3304	7.1 / 10.7
1"	D-2306 / D-3306	13.3 / 21.5
1-1/4"	D-2308 / D-3308	21.0 / 29.5
1-1/2"	D-2310 / D-3310	28.0 / 39.0
2"	D-2312 / D-3312	37.5 / 55.0
3"*	D-2316 / D-3316*	101.0 / 121.0

* Rating may be reduced on 3" models in some applications.

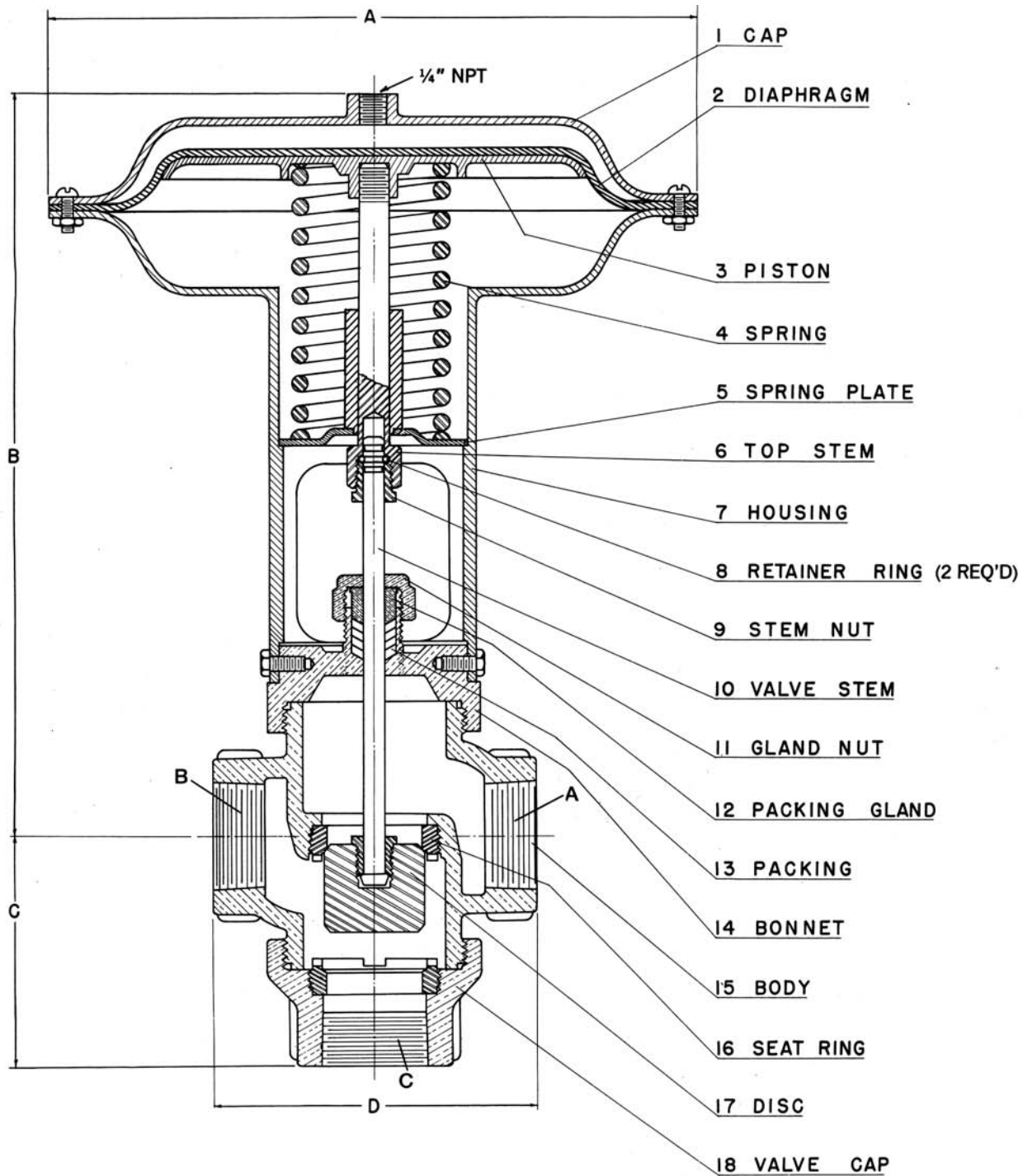
The Valv-Trol Advantage

Many parts of Valv-Trol Valves are interchangeable between the same size 2-way and 3-way valves. This helps you to reduce your spare parts inventory and allows us to maintain a more complete inventory for emergency availability and shorter lead times.

Our valves are all subjected to 100% pressure testing to ensure a drop tight seal before we ship to our customers.

35 PSI (2.4 Bar) air recommended on diaphragm

THE VALV-TROL COMPANY • 1340 COMMERCE DRIVE • STOW, OHIO 44224
Phone: 800-497-2136 • Fax: (330) 686-2820 • E-mail: sales@valv-trol.com • www.valv-trol.com



150 LB. VALVE DIMENSIONS

VALVE NUMBER	PIPE SIZE	A	B	C	D
D-2302	1/2"	6-1/8"	8"	2-3/8"	3-1/8"
D-2304	3/4"	6-1/8"	8-3/8"	2-7/8"	3-7/8"
D-2306	1"	8"	10-1/2"	3-3/8"	4-3/8"
D-2308	1-1/4"	8"	10-3/4"	3-5/8"	5"
D-2310	1-1/2"	11"	12-3/8"	3-7/8"	5-1/2"
D-2312	2"	11"	13-7/8"	4-1/2"	6-1/8"
D-2316	3"	13"	16-1/4"	5-5/8"	9"

300 LB. VALVE DIMENSIONS

VALVE NUMBER	PIPE SIZE	A	B	C	D
D-3302	1/2"	6-1/8"	8"	2-3/8"	3-1/8"
D-3304	3/4"	8"	8-1/2"	2-7/8"	3-7/8"
D-3306	1"	11"	11-3/4"	3-3/8"	4-3/8"
D-3308	1-1/4"	11"	12"	3-5/8"	5"
D-3310	1-1/2"	13"	12-3/4"	3-7/8"	5-1/2"
D-3312	2"	13"	14-1/4"	4-1/2"	6-1/8"
D-3316	3"	15-7/8"	17-1/2"	5-5/8"	9"

QUICK-ACTING 3-WAY VALVES

PARTS LIST FOR 150 PSI (10 Bar) VALVES

Ref.		D-2302	D-2304	D-2306	D-2308	D-2310	D-2312	D-2316
No.	Valve No. Valve Size	1/2"	3/4"	1"	1-1/4"	1-1/2"	2"	3" *
1	Cap	B-1100	B-1100	B-1102	B-1102	B-1104	B-1104	B-1106
2	Diaphragm	A-1120	A-1120	A-1122	A-1122	A-1124	A-1124	A-1126
3	Piston	B-1154-25	B-1154-25	B-1156-35	B-1156-35	B-1158-35	B-1158-47	B-1160-57
4	Spring	A-1754	A-1754	A-1770	A-1770	A-1778	A-1790	A-1168
5	Spring Plate	A-1180	A-1180	A-1182	A-1182	A-1182	A-1184	A-1186
6	Top Stem	A-2002	A-2008	A-2016	A-2016	A-2020	A-2028	A-2036
7	Housing	B-1174-42	B-1174-42	B-1176-53	B-1176-53	B-1178-83	B-1178-84	B-1180-05
8	Retainer Ring	A-2902	A-2904	A-2910	A-2910	A-2910	A-2912	A-2912
9	Stem Nut	A-2602	A-2604	A-2610	A-2610	A-2610	A-2612	A-2612
10	Valve Stem	A-2102-2	A-2104-2	A-2106-2	A-2108-2	A-2110-2	A-2112-2	A-2112-3
11	Gland Nut	A-2204	A-2204	A-2210	A-2210	A-2210	A-2212	A-2212
12	Packing Gland	A-2304-4	A-2304-5	A-2310-6	A-2310-6	A-2310-6	A-2312	A-2312
13	Packing	A-3002	A-3004	A-3010	A-3010	A-3010	A-3012	A-3012
14	Bonnet	A-2402	A-2404	A-2406	A-2408	A-2410	A-2412	A-2416
15	Body	C-2102	C-2104	C-2106	C-2108	C-2110	C-2112	C-2116
16	Seat Ring	A-2502	A-2504	A-2506	A-2508	A-2510	A-2512	A-2516
17	Disc	A-2702	A-2704	A-2706	A-2708	A-2710	A-2712	A-2716
18	Valve Cap	A-2822	A-2824	A-2826	A-2828	A-2830	A-2832	A-2836
	Seat Holder- 0 -	- 0 -	- 0 -	- 0 -	- 0 -	- 0 -	- 0 -	A-2517

See Parts List for 300 PSI (21 Bar) Valves on Page 4.

* Pressure rating may be reduced on 3" models in some applications.

THE VALV-TROL CO., STOW, OHIO

QUICK-ACTING 3-WAY VALVES

PARTS LIST FOR 300 PSI (21 Bar) VALVES

Ref.								
No.	Valve No.	D-3302	D-3304	D-3306	D-3308	D-3310	D-3312	D-3316
	Valve Size	1/2"	3/4"	1"	1-1/4"	1-1/2"	2"	3" *
1	Cap	B-1100	B-1102	B-1104	B-1104	B-1106	B-1106	B-1107
2	Diaphragm	A-1120	A-1122	A-1124	A-1124	A-1126	A-1126	A-1127
3	Piston	B-1154-25	B-1156-25	B-1158-35	B-1158-35	B-1160-35	B-1160-47	B-1161-57
4	Spring	A-1754	A-1758	A-1782	A-1782	A-1782	A-1794	A-1168
5	Spring Plate	A-1180	A-1180	A-1182	A-1182	A-1182	A-1184	A-1186
6	Top Stem	A-2002	A-2008	A-2020	A-2020	A-2020	A-2028	A-2040
7	Housing	B-1174-42	B-1176-52	B-1178-83	B-1178-83	B-1180-03	B-1180-04	B-1181-25
8	Retainer Ring	A-2902	A-2904	A-2910	A-2910	A-2910	A-2912	A-2912
9	Stem Nut	A-2602	A-2604	A-2610	A-2610	A-2610	A-2612	A-2612
10	Valve Stem	A-2102-2	A-2104-2	A-2106-2	A-2108-2	A-2110-2	A-2112-2	A-2112-3
11	Gland Nut	A-2204	A-2204	A-2210	A-2210	A-2210	A-2212	A-2212
12	Packing Gland	A-2304-4	A-2304-5	A-2310-6	A-2310-6	A-2310-6	A-2312	A-2312
13	Packing	A-3002	A-3004	A-3010	A-3010	A-3010	A-3012	A-3012
14	Bonnet	A-2402	A-2404	A-2406	A-2408	A-2410	A-2412	A-2416
15	Body	C-2102	C-2104	C-2106	C-2108	C-2110	C-2112	C-2116
16	Seat Ring	A-2502	A-2504	A-2506	A-2508	A-2510	A-2512	A-2516
17	Disc	A-2702	A-2704	A-2706	A-2708	A-2710	A-2712	A-2716
18	Valve Cap	A-2822	A-2824	A-2826	A-2828	A-2830	A-2832	A-2836
	Seat Holder - 0 -	- 0 -	- 0 -	- 0 -	- 0 -	- 0 -	- 0 -	A-2517

See Part List for 150 PSI (10 Bar) Valves on Page 4.

* Pressure rating may be reduced on 3" models in some applications.

THE VALV-TROL CO., STOW, OHIO