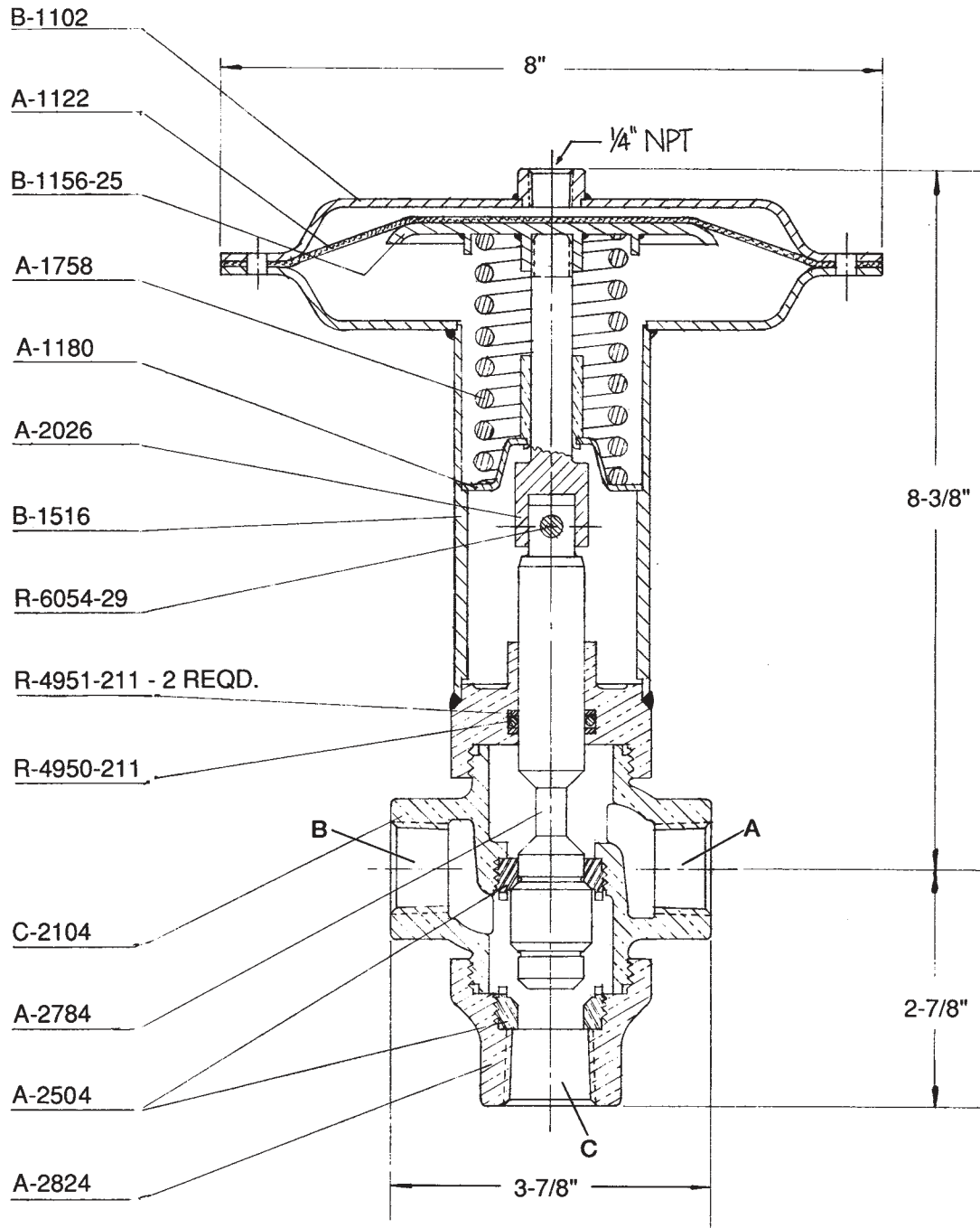


3-WAY/2-POSITION VALVE

MODEL D-3904 3/4" 500 PSI (34 Bar)



THE VALV-TROL CO., STOW, OHIO